

OP-925 HEAVY DUTY CRANE SCALE



6K lb to 20k lb
LCD

6K lb to 20k lb
LED



40K lb
Front LED



40K lb
Back LCD



60K lb to 100k lb
LED

FEATURES

- Durable cast aluminum housing, ideal for harsh environments
- Features an easy to read, backlit LED or LCD display
- Measured values in either pounds (lb) or kilograms (kg)
- Powered using a rechargeable battery pack (up to 80 hours)
- Wireless remote controller allows users to change units, clear measurements, zero and tare out weight
- Remote controller can capture peak weight at a distance of up to 100ft. (30m)

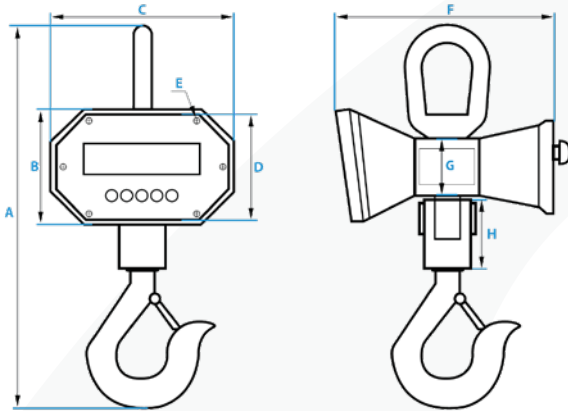
PART#	CAPACITY	SHIP WT.	PART#	CAPACITY	SHIP WT.
LED DISPLAY			LCD DISPLAY		
OP-925A-6000	6000 lbs x 1 lbs	26 lbs	OP-925B-6000	6000 lbs x 1 lbs	26 lbs
OP-925A-10000	10,000 lbs x 2 lbs	30 lbs	OP-925B-10000	10,000 lbs x 2 lbs	30 lbs
OP-925A-20000	20,000 lbs x 5 lbs	60 lbs	OP-925B-20000	20,000 lbs x 5 lbs	60 lbs
OP-925A-40000	40,000 lbs x 10 lbs	205 lbs	OP-925B-40000	40,000 lbs x 10 lbs	190 lbs
OP-925A-60000	60,000 lbs x 10 lbs	285 lbs			
OP-925A-80000	80,000 lbs x 20 lbs	370 lbs			
OP-925A-100000	100,000 lbs x 20 lbs	490 lbs			



OP-925 DIAGRAM



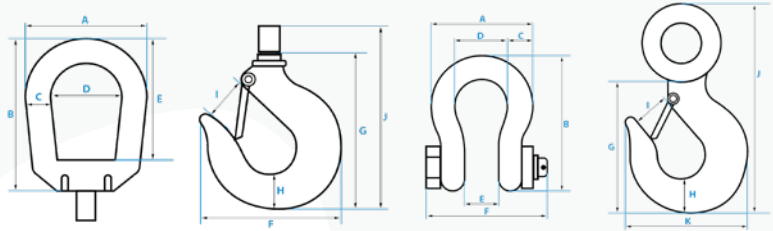
6K, 10K, 20K ▼



EXTERIOR DIMS. 6K, 10K, 20K			
A	B	C	D
18"; 26"; 29"	6.14"	9.83"	5.65"
E	F	G	H
0.28"	11.2"	2.97"	3.5";6.5";8.5"

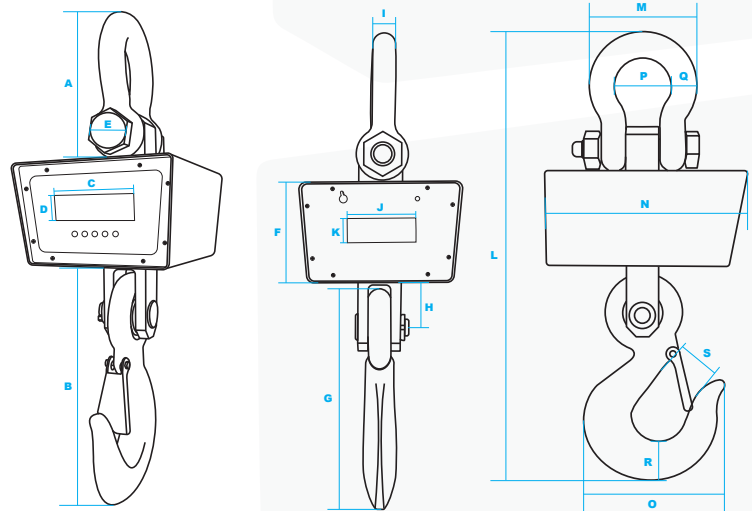
Up to 10K lbs ▼

20K lbs ▼



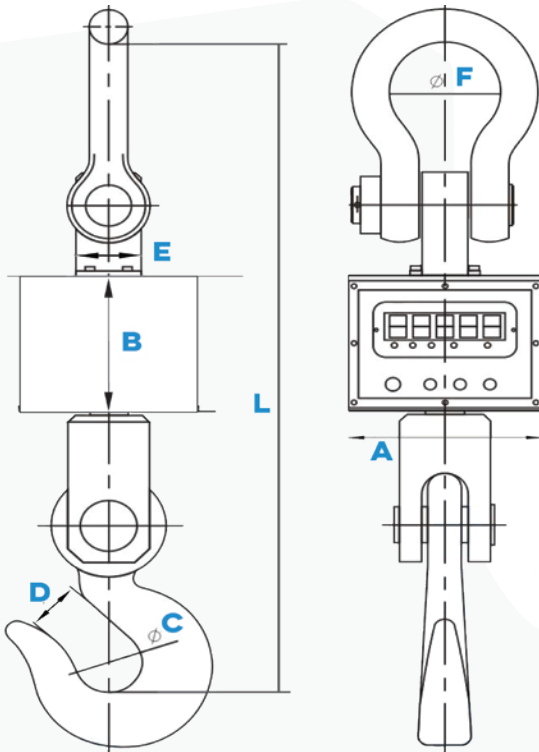
HOOK DIMENSIONS						
CAPACITY	A	B	C	D	E	F
6,000 lbs	4.52"	5.91"	0.95"	3.58"	4.72"	4.54"
10,000 lbs	5.40"	7"	1.25"	2.95"	1.92"	6.50"
20,000 lbs	6"	8"	1.40"	3.21"	2.21"	7.25"
CAPACITY	G	H	I	J	K	
6,000 lbs	5.36"	1.45"	1.45"	6.06"	•	
10,000 lbs	6.40"	1.91"	1.65"	9.50"	6"	
20,000 lbs	8.00"	2.40"	2.00"	12.20"	7.00"	

40,000 lbs ▼



40K LB CAPACITY DIMENSIONS									
A	B	C	D	E	F	G	H	I	J
5.5"	20"	6"	1.2"	2.9"	7.5"	17"	4.5"	1.95"	5"
K	L	M	N	O	P	Q	R	S	•
1.6"	40"	9.25"	15.75"	13.25"	5"	2.25"	4"	3.4"	•

60K-100K lbs ▼



60K-100K lbs ▼

60K-100K LB CAPACITY DIMENSIONS							
CAPACITY	A	B	C	D	E	F	L
60,000 lbs	9.29"	6.25"	5.11"	4.72"	8.34"	5.90"	39.05"
80,000 lbs	11.81"	8.46"	5.90"	5.11"	11.81"	8.42"	47.75"
100,000 lbs	11.81"	8.46"	5.90"	5.11"	11.81"	8.42"	47.75"

OPTIMA SCALE MANUFACTURING INC.

9030 BRIDGEPORT PLACE RANCHO CUCAMONGA, CA 91730

800.360.9619 SALES@OPTIMASCALE.COM WWW.OPTIMASCALE.COM

