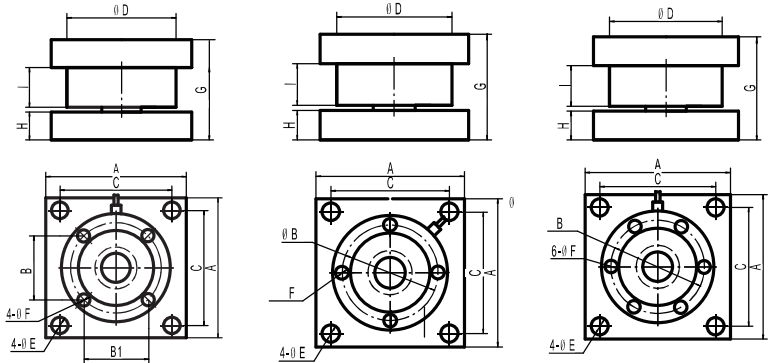


OP-352-TM WEIGHING ASSEMBLIES, NICKEL PLATED ALLOY I IP67



COMPLETE KIT INCLUDES

- 3 or 4 OP-352 alloy steel load cells
- 3 or 4 OP-352-TM compression mounts
- 1 OP-416-SS stainless junction box

RATED CAPACITY	DIMENSIONS									
	A	B	C	D	E	F	G	H	I	J
lb/inches										
5K-10K lb	4.00	2.00	3.25	3.50	0.40	3/8-16	1.73	0.375	0.75	N/A
15K lb	4.00	2.00	3.25	3.50	0.40	3/8-16	2.23	0.625	0.75	N/A
20K-50K lb	7.00	3.75	5.50	6.00	0.63	1/2-13	3.23	0.75	1.30	1/2-14 NPT
60K-100K lb	8.00	4.25	6.50	7.00	0.81	3/4-16	3.50	1.00	1.30	1/2-14 NPT
150K-200K lb	10.00	7.83	8.00	9.00	1.10	1-14	6.75	2.00	1.70	1/2-14 NPT
250K-450K lb	11.00	7.75	9.00	9.00	1.30	7/8-14	9.42	3.00	2.25	1/2-14 NPT
kg/mm										
2,268-4,536 kg	101.60	50.80	82.55	88.90	10.16	3/8-16	43.82	9.53	19.05	N/A
6,804 kg	101.60	50.80	82.55	88.90	10.16	3/8-16	56.52	15.88	19.05	N/A
9,072-22,680 kg	177.80	95.25	139.70	152.40	16.00	1/2-13	82.04	19.05	33.02	1/2-14 NPT
27,216-45,360 kg	203.20	107.95	165.10	177.80	20.57	3/4-16	88.90	25.40	33.02	1/2-14 NPT
68,040-90,720 kg	254.00	198.88	203.20	228.60	27.94	1-14	171.45	50.80	43.18	1/2-14 NPT
113,400-204,120 kg	279.40	196.85	228.60	228.60	33.02	7/8-14	239.29	76.20	57.15	1/2-14 NPT

SPECIFICATIONS

Rated Capacity:

lbs: 5K/10K/15K/20K/25K/35K/50K/60K/75K/
100K/150K/200K/250K/300K/400K/450K

Rated Output:

4.0 mV/V

Load cell Resistance:

350 OHMS

Load Cell Cable

Standard Cable
60ft/18m

Safe Overload:

150% F.S.

Destructive Load:

300% F.S.

Excitation Recommended:

10-15V AC/DC

Operation Temperature:

-20°C - +40°C (-4°F - 104°F)

Optional High Temperature:

204°C (400°F)

Construction:

Load cell: Alloy Steel
Module: Alloy Steel