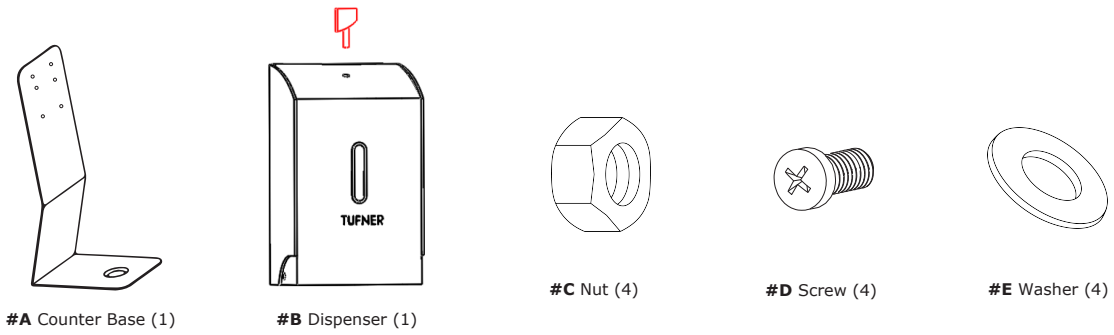


COUNTER ASSEMBLY GUIDE

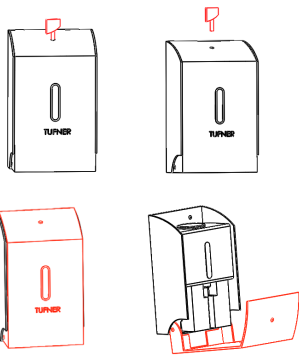


Package includes:



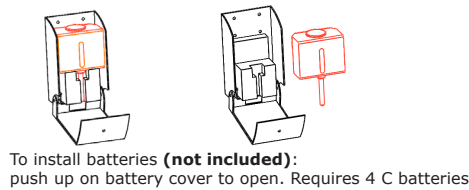
Step 1

Open #B dispenser with the key provided or any flat object



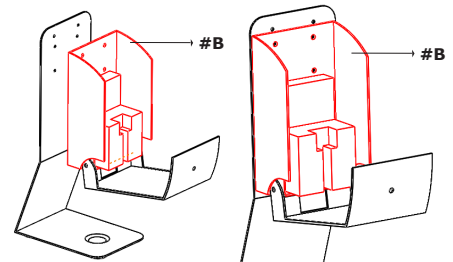
Step 2

Remove the reservoir from #B dispenser



Step 3

Install #B dispenser on the back plate of the #A counter base and align the holes on the back plate



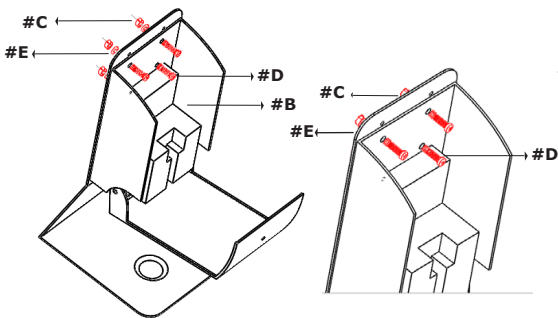
Step 4

Secure the #B dispenser on the back plate of the #A counter base via #D screws, #E washer, and #C nuts



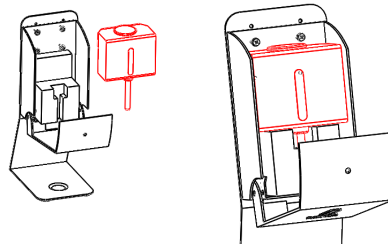
Tighten gently

Do not Force



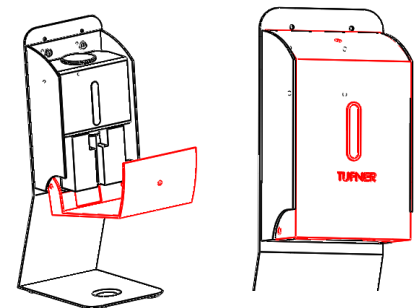
Step 5

Put the reservoir back into the #B dispenser



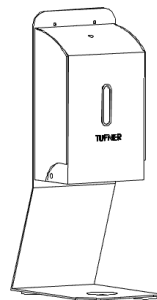
Step 6

Close the front side of the #B dispenser



Step 7

Dispenser counter completed



TUFNER INC.

HEADQUARTERS
9030 BRIDGEPORT PLACE RANCHO CUCAMONGA, CA 91730

MANUFACTURING FACILITY
1800-1900 NORTH COLLINS FWY. HOWE, TX 75459

888.688.4833

SALES@TUFNER.COM

WWW.TUFNER.COM